



DCM Series

DC POWER SUPPLY / DC GENERATOR



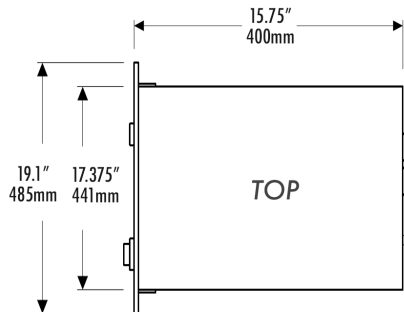
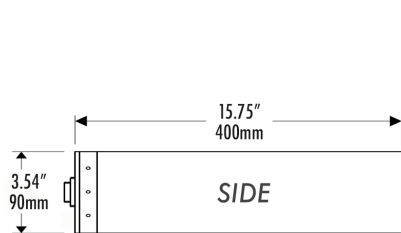
▲ DCM-1500 DC Power Supply



▲ DCM-1500 (front and rear panels)

Product Description

DC Power Supply ideal for magnetron sputtering or bias supplies in RF sputtering and RF etching



▲ Dimensions (2U rack mounting)

Features

Available in 750 W, 1000 W, 1500 W

Voltage, Current, Power regulation modes

Tight regulation with exceptional arc control

Compact design, full rack mount

Front Panel and Remote Analog modes of operation

Communication Interfaces of RS-232 and RS-422

Low ripple and low stored energy at output

2U Rack Mounting, 10.8 kg

FOR MORE INFO or QUOTE:

www.tcpowerconversion.com
(585) 482 - 5551

EMAIL: sales@tcpowerconversion.com

DCM Series Spec Sheet

Electrical

Models	DCM-750 (750 W) DCM-1000 (1000 W) DCM-1500 (1500 W)
Regulation Modes	Power, Voltage, Current modes
Input Supply Voltage	195 to 250 Vac (43 63 Hz), 1-phase operation *
Input Current	Max 8A; Power factor = 0.87
Output Voltage Range	0 – 1000 VDC negative (ignition voltage 1200V) (<i>all models</i>)
Output Current Range	3mA – 2000 mA (1 mA step) (<i>all models</i>)
Output Power Range	2 - 750W max (<i>DCM-750</i>) 2 - 1000W max (<i>DCM-1000</i>) 2 - 1500W max (<i>DCM-1500</i>)
Ripple Noise	Switching: 2% p-p (50kHz) Line: 1% p-p (100/120 Hz)
Ramp Up Time	Programmable
Arc Detection	< 2 us Response Time
Dimensions	483 x 395 x 88 mm (W x D x H) - 2U Rack Mounting Standard
Weight	10.8 kg
	* alternatively, operation is also possible from two hot wires 3 phase systems, providing the voltage between them does not exceed more than 250 VAC

I/O Control

Control modes	Local mode (Front panel) or Remote Mode (Rear panel interface)
Analog Interface	25 D-sub male connector, 0 - 5V Analog, 0 - 10V Analog, 0/12 VDC Digital
Serial Communication	RS232 or RS422 with ModBUS EDF's protocol (configurable with order)

