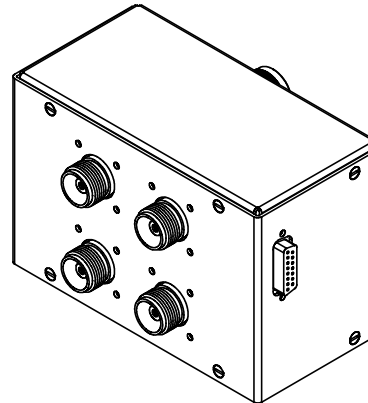
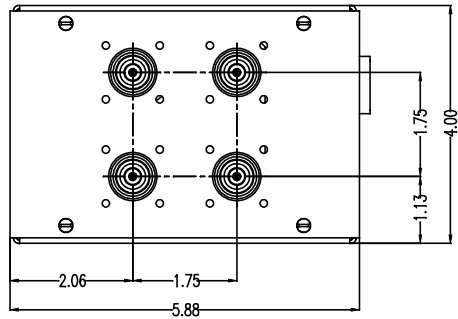
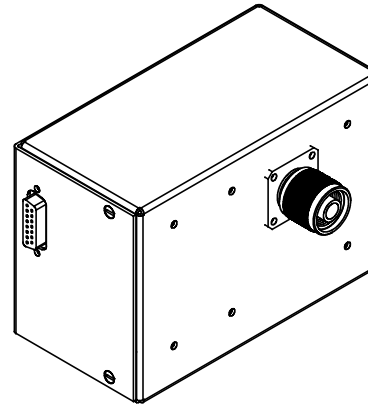
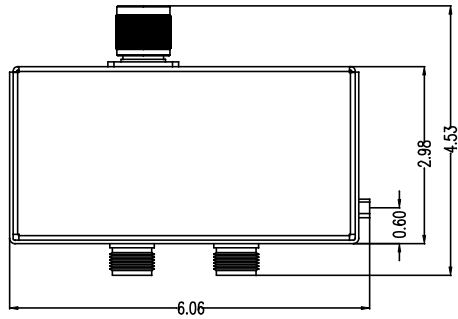


DWG. NO. 9100 0256 33 SH 1 REV. A

REVISIONS			
REV.	DESCRIPTION	DATE/DRAWN BY	APPROVED / ECD
A	FIRST RELEASE	6.23.11/RMS	



QTY REQD	FSCM NO.	PART OR IDENTIFYING NO.	NOMENCLATURE OR DESCRIPTION	MATERIAL SPECIFICATION
PARTS LIST				
UNLESS OTHERWISE SPECIFIED DIMENSIONS ARE IN INCHES TOLERANCES ARE :		CONTRACT NO.		
DECIMALS ±0.005		APPROVALS		
ANGLES ±1°		DATE		
MATERIAL		DRAWN RMS 6.23.11		
FINISH		CHECKED		
NEXT ASSY		ISSUED		
USED ON		SIZE B		
APPLICATION		SCALE		
DO NOT SCALE DRAWING		SHEET 1 OF 1		

PROPRIETARY DATA

NOTICE
THIS DRAWING MAY INCLUDE UNPUBLISHED PROPRIETARY MATERIAL DEVELOPED BY T&C POWER CONVERSION, INC. AND AS SUCH IS NOT TO BE COPIED, REPRODUCED, DISCLOSED, OR USED IN ANY WAY OR FORM WITHOUT PRIOR WRITTEN AUTHORIZATION FROM T&C POWER CONVERSION, INC.

RF SWITCHBOX

T&C Power Conversion, Inc.
110 Halstead Street, Suite 7, Rochester, NY 14610

DWG. NO. 9100 0256 33 REV. A

DATE TIME